

## 7050 TCXO / VC-TCXO

## TC700 Series

### ◆特長・用途/Feature

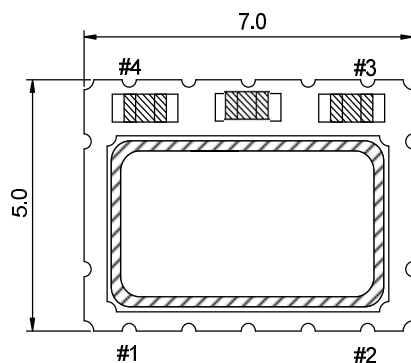
- SMD Package
- Supply Voltage     **+5.0V, +3.3V**
- Output Level       **Clipped Sine Wave**  
                          **CMOS**
- Frequency range   **5MHz ~ 40MHz**

### ◆仕様/Specifications

RoHS Compliant

項目 / item	Min	Max	単位 / unit	Note
電源電圧 Power Supply voltage	+5.0, +3.3		V	--
出力周波数 Frequency range	5	40	MHz	--
周波数可変範囲 (VC-TCXO) Pulling Range	±5	--	10 <sup>-6</sup>	--
周波数安定度 Freq. Overall tolerance	±0.05, ±0.1, ±0.14, ±0.2, ±0.28		10 <sup>-6</sup>	-10~+60°C
	±0.1, ±0.14, ±0.2, ±0.28		10 <sup>-6</sup>	-10~+70°C
	±0.2, ±0.28		10 <sup>-6</sup>	-40~+85°C

### ◆外形寸法/Dimensions unit : mm



PAD	FUNCTION
#1	Vc :VC-TCXO GND: TCXO
#2	GND
#3	OUTPUT
#4	VDD